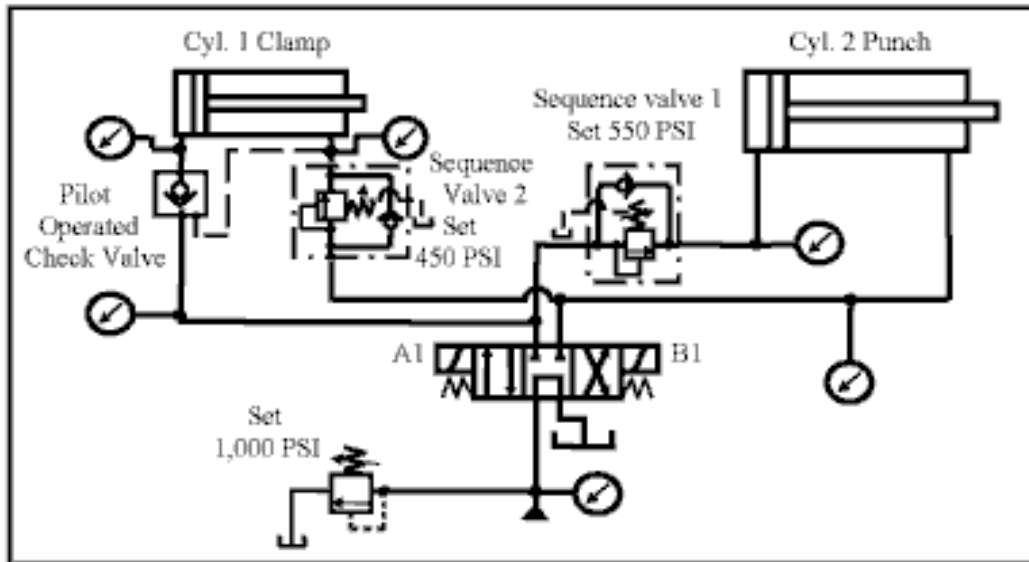


Hydraulic Sequencing Valve Problem:



Given the above circuit determine the potential problem:

Cylinder #1 will clamp the work piece but cylinder #2 will not advance to perform punching operation.

1. What are data needs to be collected to probably analyze the system?
2. Based on question #1's data, what actions need to be taken?